

## SNVR-168H4 16Ch H.265 Network Video Recorder



### Product Highlights

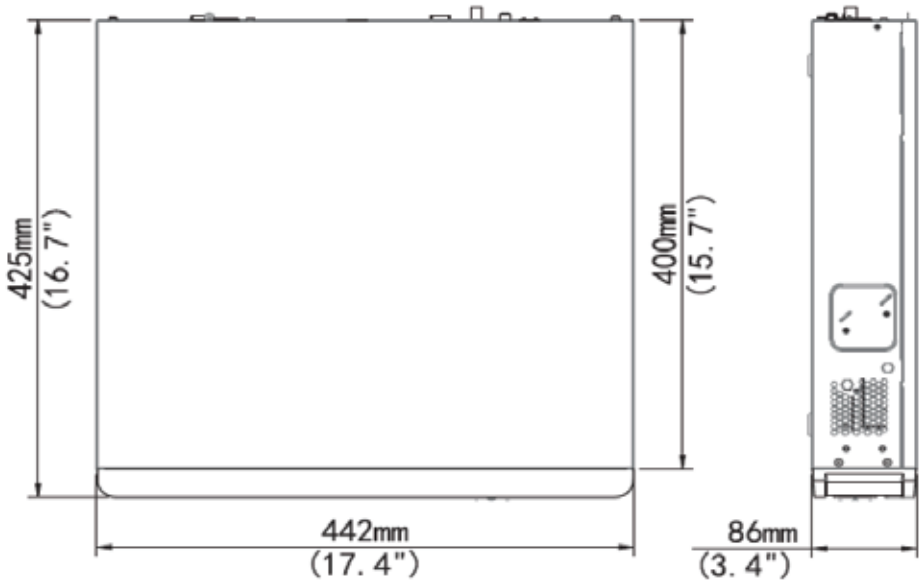
- 16-channel input
- Third-party IP cameras supported with ONVIF conformance
- Supports 2-ch HDMI, 1-ch VGA, 1-ch CVBS, HDMI2 at up to 4K(3840x2160) resolution
- Up to 12 Megapixels resolution recording
- Supports H.265/H.264 video formats
- Accurate retrieval, instant playback
- Supports HDD hot swap with RAID1, 5 storage scheme configurable
- 8 SATA HDDs, Up to 8TB for each HDD
- Supports various VCA detection alarm and VCA search
- Supports N+1 Hot spare
- Support for 12V Power output
- Support for P2P, UPnP, NTP, DHCP, PPPoE
- ANR technology to enhance the storage reliability when the network is disconnected
- Supports cloud upgrade

## Specifications

<b>Model Number</b>	<b>SNVR-168H4</b>	Version 2.0
<b>Video/Audio Input</b>		
Operating System	16-ch	
Operating System	1-ch, RCA	
<b>Network</b>		
Incoming Bandwidth	160Mbps	
Outgoing Bandwidth	320Mbps	
Remote Users	128	
Protocols	P2P, UPnP, NTP, DHCP, PPPoE	
<b>Video/Audio Output</b>		
Trigger Events	HDMI1/VGA: 1920x1080p /60Hz, 1920x1080p /50Hz, 1600x1200 /60Hz, 1280x1024 /60Hz, 1280x720 /60Hz, 1024x768 /60Hz4 HDMI2: 4K (3840x2160) /60Hz, 4K (3840x2160) /30Hz, 1920x1080p / 60Hz, 1920x1080p /50Hz, 1600x1200 /60Hz, 1280x1024 /60Hz, 1280x720 /60Hz, 1024x768 /60Hz	
CVBS Output	1-ch, BNC	
Recording Resolution	12MP/8MP/6MP/5MP/4MP/3MP/1080p/960p/720p/D1/2CIF/CIF	
Audio Output	1-ch, RCA	
Synchronous Playback	16-ch	
Corridor Mode Screen	3/4/5/7/9/10/12/16	
<b>Decoding</b>		
Decoding format	Ultra 265, H.265, H.264	
Live view/ Playback	12MP/8MP/6MP/5MP/4MP/3MP/1080p/960p/720p/D1/2CIF/CIF	
Capability	3 x 12MP@25, 4 x 4K@30, 8 x 4MP@30, 16 x 1080P@30, 32 x 960P@25, 36 x 720P@30, 64 x D1	
<b>Hard Disk</b>		
SATA	8 SATA interfaces	
Capacity	up to 8TB for each HDD	
eSATA	1 eSATA interface	
<b>Smart</b>		
VCA Detection	Face detection, Intrusion detection, Cross line detection, Audio detection, Defocus detection, Scene change detection, Auto tracking	
VCA Search	Face search, Behavior search	
Statistical Analysis	People counting	
<b>Disk Array</b>		
Array Type	RAID 0, 1, 5, 6, 10	
<b>External Interface</b>		
Network Interface	2 RJ45 10M/100M/1000M self-adaptive Ethernet Interfaces	
Serial Interface	1 x RS232, 1 x RS485	
USB Interface	Front panel: 2 x USB2.0,Rear panel: 1 x USB3.0	
Alarm In	16-ch	
Alarm Out	4-ch	
<b>General</b>		
Power Supply	100 ~ 240 VAC Power Consumption: ≤ 20 W( without HDD )	
Working Environment	-10°C ~ + 55°C ( +14°F ~ +131°F ), Humidity ≤ 90% RH(non-condensing)	
Dimensions(WxDxH)	442mm ×425mm× 86mm (17.4" × 16.7"× 3.4")	
Weight ( without HDD )	≤ 5.13 Kg (11.31 lb )	
<b>Certificate</b>	<b>CE,FCC,ROHS,UL</b>	

\*\*Note: Secura offers customised products and solution on most products as per site requirements, minor changes in specifications and appearance are warranted and tracked version wise for customised requirements.

Dimensions



Rear Panel

