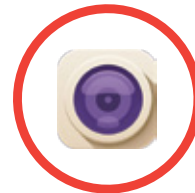


SNVR-081H5 (SNVR-E0108)
8 CH NETWORK VIDEO RECORDER (4K)



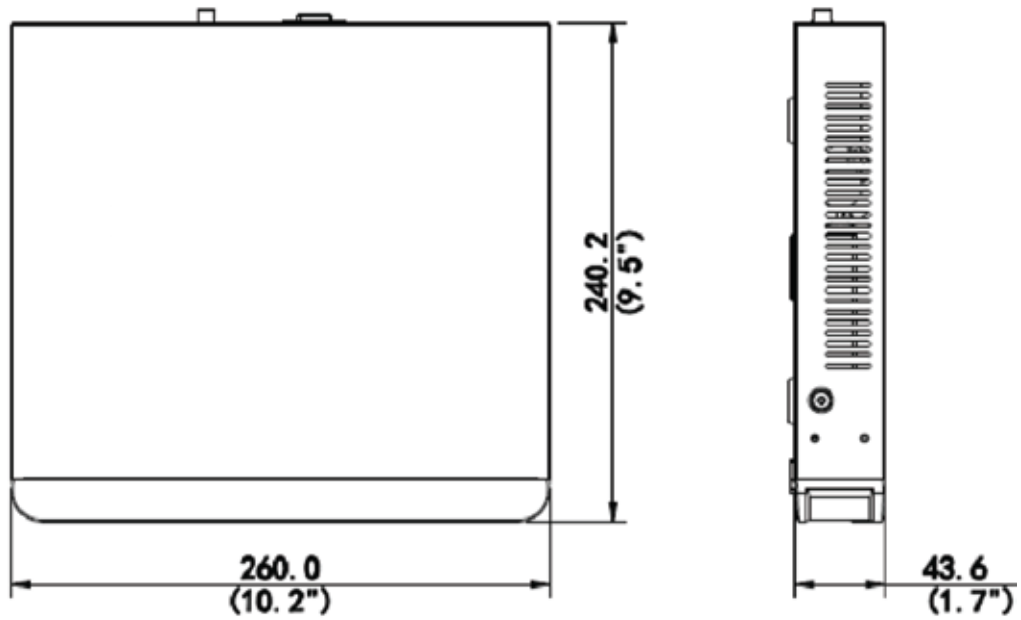
Product Highlights

- 8 ch IP Camera Input
- Third Party IP cameras Supported with ONVIF Conformance
- Supports H.265/H.264 Video Formats
- Supports 8 Megapixels Resolution Recording
- Supports 1 ch-HDMI and 1 ch-VGA
- HDMI & VGA Simultaneous Output
- I/O Bandwidth: 60/64 Mbps
- Supports 1 SATA upto 8 TB
- Supports Cloud upgrade

Specifications

Model Number	SNVR-081H5(SNVR-0108)
System	
Operating System	Embedded Linux
Audio & Video	
IP Camera Input	8 ch
Two Way Talk	1ch , RCA
Display	
Interface	HDMI: 4K (3840x2160) /60Hz, 4K (3840x2160) /30Hz, 1920x1080p /60Hz, 1920x1080p /50Hz, 1600x1200 /60Hz, 1280x1024 /60Hz, 1280x720 /60Hz, 1024x768 /60Hz VGA: 1920x1080p /60Hz, 1920x1080p /50Hz, 1600x1200 /60Hz, 1280x1024 /60Hz, 1280x720 /60Hz, 1024x768 /60Hz
Resolution	8MP/6MP/5MP/4MP/3MP/1080p/960p/720p/D1/2CIF/CIF
Multi Screen Display	1/4/8
OSD Menu	Camera title, Time, Video loss, Camera lock, Motion detection, Recording
Video Detection & Alarm	
Trigger Events	Recording, PTZ, Tour, Alarm Out, Video Push, Email, Snapshot, Buzzer and Screen Tips
Video Detection	Face detection, Intrusion detection, Cross line detection, Audio detection, Defocus detection, Scene change detection, Auto tracking
Alarm Input	4
Relay Output	1
Recording	
Compression	H.265, H.264
Resolution	8MP/6MP/5MP/4MP/3MP/1080p/960p/720p/D1/2CIF/CIF
Bitrate	128 ~ 16384 Kbps
Playback & Backup	
Sync Playback	8ch
Search Mode	8MP/6MP/5MP/4MP/3MP/1080p/960p/720p/D1/2CIF/CIF
Decoding Capability	1 x 4K@30, 2 x 4MP@30, 4 x 1080p@30, 8 x 720p@30
Network	
Incoming Bandwidth	60 Mbps
Outgoing Bandwidth	64 Mbps
Interface	1 RJ-45 10M/100M self-adaptive Ethernet Interface
Network Function	SNMP,P2P, UPnP, NTP, DHCP, PPPoE
Max. User Access	128
Smartphone	Android & iOS
Interoperability	ONVIF
Storage	
Internal HDD SATA	1 SATA upto 8 TB
External Interface	
USB	Rear panel : 1 x USB2.0, Front panel : 1 x USB2.0
RS232	Supported
Electrical	
Power Supply	12V DC
Power Consumption	≤ 5 W(without HDD)
Enviromental	
Operating Temperature	-10°C ~ + 55°C (+14°F ~ +131°F), Humidity ≤ 90% RH(non-condensing)
Construction	
Material	Metal
Dimensions	260.0mm × 240.2mm ×43.6mm (10.2"× 9.5"×1.7")
Net Weight	≤ 1 Kg (2.2 lb)
Certifications	CE, FCC, RoHS, UL & BIS
Included Accessories	Power Supply, Mouse, HDD Connectors, Software CD, User Manual

Dimensions



Rear panel

