

2MP 33x IR Network PTZ Dome Camera with WDR

Model No: SIP-20SH5336-P8

Version 2.0



Key Features

Excellent Image Quality

- 2.0 Megapixel 1/2.8" progressive scan CMOS sensor
- High definition and smooth picture, 1080P@ 60 fps
- H.265 video codec, saves up to 50% bandwidth and storage
- Ultra low illumination, 0.003lux with color picture
- 120dB Ultra WDR
- IR automatically adjusts
- HLC / 3D noise reduction

Intelligent Functions

- Motion detection / Tampering / Guard line / Intrusion / Enter guard area / Exit guard area / Object left / Object removal / Gathering / Audio surge / Face detection / Object counting

Long Operation Lifespan

- Industrial components, withstands operation temperatures of -40°C ~ 70°C
- IP66, TVS 6000V lightning protection, surge protection and voltage transient protection
- IK10

Large Scale

- 33x optical zoom
- IR distance up to 220m

Abundant Functions and Features

- SD card slot, supports Automatic Network Replenishment (ANR)

- Up to 3 video streams
- Bi-directional audio / alarm in and out / video out / RS485
- Built-in O-sensor

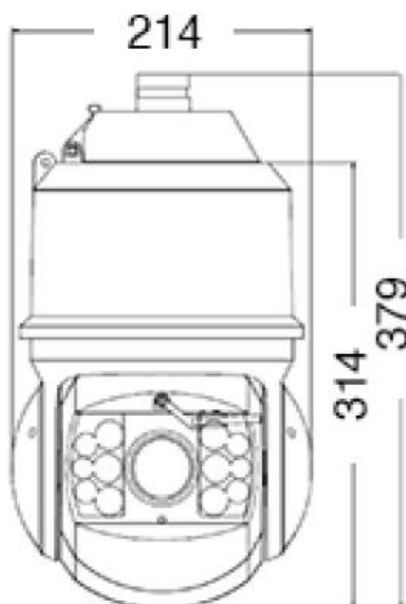
Specification

Model No	SIP-20SH5336-P8	Version 2.0
Camera		
Sensor	1/2.8", 2 megapixel, progressive scan, CMOS	
Lens	4.5 ~ 148.5 mm	
Focus	Auto/ Manual / Semi- Automatic	
Angle of View (H)	67.8° (wide) ~ 2.34°(tele)	
Iris	Auto/Manual;F1.6~F5.3	
Shutter Speed	1 ~1/30000s	
Minimum Illumination	Color: 0.003 Lux @ (F1.6,AGC ON) at 30IRE 0.0003 Lux @ (F1.6,AGC ON) at 30IRE	
S/N	>55dB	
WDR	Ultra 120 dB	
Day/Night	Auto (ICR) / Color / B/W	
White Balance	Auto / Manual	
Gain Control	Auto/ Manual	
Exposure Control	Iris / Automatic/ Shutter Speed	
Backlight Compensation	Off/BLC/WDR/HLC	
Zoom	Optical 33x, Digital 12x	
Video		
Max. Resolution	1920X1080	
Video Compression	H.265/ H.264/ MJPEG	
Frame Rate	1080P (1920×1080):Max.60 fps; D1 (720×576):Max.30 fps	
Bit rate	32kbps ~ 16Mbps	
Bit rate Control	VBR/ CBR	
Multi-stream	Supported	
Caption	Date and time / Alarm / Direction / Customized	
Privacy Mask	Up to 4 Zones	
Motion Detection	Up to 4 Zones	
Region Of Interest	Supported	
Video Freeze	Supported	
Digital Noise Reduction	3D noise reduction	
Digital Defog	Supported	
Image Flip	Flip / Mirror	

Electronic Image Stabilization (EIS)	Supported
Audio	
Audio Compression	G.711a / G.711u / ADPCM / G.722 / AAC-LC / G.722.1c / G.726/G.728
Bit rate	32kbps ~16Mbps
Audio Function	Bi-directional audio / AEC / Mixed audio recording / Dumb / Mute
Voice alert	Motion Detection and Camera tampering detection with Voice alert
Storage	
Edge Storage	Micro SD, up to 128 GB
Network	
Protocols	TCP/IP, UDP, HTTP, HTTPS, DHCP, DNS/DDNS, RTP/RTCP, RTSP, PPPoE, FTP, VSIP, UPnP, 802.1x, NAT, QoS, SMTP, IPv4, IPv6, ARP, ICMP, IGMP, NTP, SNMP
Compatible Integration	ONVIF Profile S, profile G, API
User Interface	IPC Control (IE, Firefox, Chrome)
Max. User Access	Max. 10 Users (includes 2 internal)
ANR	supported
Pan & Tilt	
Pan Range	360° (endless)
Pan Speed	0.1°/s ~200°/s
	Preset speed: 300°/s
Tilt Range	-15°~+90° (with auto reverse)
Tilt Speed	0.1° ~150°/s
	Preset speed: 300°/s
Number of Preset	256
Tour	3
Patrol	Preset patrol, route patrol, recorded patrol
3D positioning	PTZ control with mouse click and drag
Wiper	Supported
Auto Guard	Path / Preset / Mixed / Pan scan / Tilt scan / Frame scan / Random scan / Panorama scan
Alarm	
Alarm Triggers	Alarm input / Network disconnect / Disk full / Disk error
Intelligent	Motion detection / Tampering / Guard line / Intrusion / Enter guard area / Exit guard area / Object left / Object removal / Gathering / Audio surge / Face detection / Object counting
Alarm Events	Alarm report / Recording / Text overlay / Snapshot / External output / Email notice / Acoustic alarm
Interface	

Audio I/ O	1 x Line in / 1 x Line out
Alarm I/O	4 x Input / 2 x Output
Serial Port	1 x RS485
Network	RJ 45 10M/100MBase-TxEthernet
Video Output	1 BNC, impedance 75 Ω; amplitude 1 V[p-p]
Environmental	
Operating Temperature	-40°C ~ 70°C / -40°F ~ 158°F
Operating Humidity	10% ~ 95%
Protection Level	IP66, TVS 6000V lightning protection, surge protection and voltage transient,IK10
Electrical	
Power	24V AC / 3A (Power adapter included),PoE
Power Consumption	Max. 45W (IR on)
Weight	8 kg / 17.6lb (Gross Weight)
Dimensions	Φ214 x 379mm/ Φ8.43" x 14.92"
Certification	CE, FCC, RoHS, UL

Dimension



LOOKMAN
your security partner

Lookman Electroplast Industries Ltd,

Old No-9, New No-15, 2nd Street Extn, 3rd Main Road, CIT Nagar, Nandanam, Chennai,
Tamil Nadu -600035, India. Ph: - 044 6622 2222. Fax: - 044 6622 2218.